



# Formal Verification using the IITD-Concurrency WorkBench

S. Arun-Kumar

sak(a)cse.iitd.ernet.in

Department of Computer Science and Engineering

I. I. T. Delhi, Hauz Khas, New Delhi 110016.

<http://www.cse.iitd.ac.in/sak>

May 9, 2005

NWCV-DAIICT

Home Page

Title Page



Page 1 of 100

Go Back

Full Screen

Close

Quit



# Overview

1. History & Lineage
2. Design Languages
3. Capabilities of the CWB-NC
4. Why use the IITD-CWB?
5. Behavioural Verification
6. Logical Properties
7. Conclusion

NWCV-DAIICT

Home Page

Title Page



Page 2 of 100

Go Back

Full Screen

Close

Quit



# History & Lineage

NWCV-DAICT

Home Page

Title Page



Page 3 of 100

Go Back

Full Screen

Close

Quit



## Concurrency Workbenches

1. The Edinburgh Concurrency Workbench (old)
2. The Concurrency Workbench of North Carolina
3. The Concurrency Workbench of the New Century
4. The IITD Concurrency Workbench

NWCV-DAIIC

Home Page

Title Page



Page 4 of 100

Go Back

Full Screen

Close

Quit



# The Edinburgh Concurrency Workbench (old)

1. Designed by Cleaveland, Parrow and Steffen
2. Implemented in Standard ML '90
3. Used CCS as the only design language
4. Implemented behavioural verification
5. Implemented Hennessy-Milner Logic

NWCV-DAIIC

Home Page

Title Page



Page 5 of 100

Go Back

Full Screen

Close

Quit



# The Concurrency Workbench of North Carolina

1. Complete redesign by Rance Cleaveland
2. Used the new features of a very much changed SML
3. Expanded to include the  $\mu$ -calculus as the basic underlying logic
4. Modularized to allow for different kinds of design languages
5. Used a separate back-end generator for new design languages
6. Designed a sister software **PAC-NC** for the purpose of back-end generation

NWCV-DAIIC

Home Page

Title Page



Page 6 of 100

Go Back

Full Screen

Close

Quit



# The Process Algebra Compiler of North Carolina

1. Designed by Steve Sims under Rance Cleaveland's supervision
2. A compiler generator for the CWB-NC
3. Allowed a syntactic specification of both syntax and **semantics** of design languages
4. Used ML-Lex and ML-YACC to generate the back-end for the CWB-NC
5. Allowed for experimenting with new languages and verification
6. Tested out on CCS, CSP, Basic LOTOS etc.

NWCV-DAIICT

[Home Page](#)

[Title Page](#)



Page 7 of 100

[Go Back](#)

[Full Screen](#)

[Close](#)

[Quit](#)



## Semantics in PAC-NC

1. Designed a syntax for formal specification of operational semantics
2. semantics specified through **labelled transition systems**
3. Used ML-Lex and ML-Yacc to scan and parse semantic specification
4. Generated the back-end for CWB-NC as LTS generation
5. Allowed for the design of special libraries to be included in the back-end
6. Greater flexibility and scope for customization as opposed to native languages of other model-checkers (e.g. SPIN, SMV, Nu-SMV).

NWCV-DAIICT

Home Page

Title Page



Page 8 of 100

Go Back

Full Screen

Close

Quit





# The Concurrency Workbench of the New Century

1. An enhancement of the **North Carolina** version
2. Includes GCTL\* and SCCS as new interfaces
3. Remains compatible with the PAC-NC.
4. Allows for installation on win32 platforms
5. Comes as an RPM for Red Hat Linux installations

NWCV-DAIICT

Home Page

Title Page



Page 9 of 100

Go Back

Full Screen

Close

Quit



# The IITD Concurrency Workbench

1. Faithful to the **CWB-New Century version 1.2**
2. Includes a web-interface for all basic model-checking needs
3. Includes an ACSR interface
4. Interfaces for GCTL\* not currently available
5. Interface for the simulator not available

NWCV-DAIICT

Home Page

Title Page



Page 10 of 100

Go Back

Full Screen

Close

Quit



## Why use the IITD-CWB?

1. No installation required
2. Minimal learning required
3. Available for free public use by anyone who simply wants to try it out

NWCV-DAIICT

Home Page

Title Page



Page 11 of 100

Go Back

Full Screen

Close

Quit



## Why use the IITD-CWB 1?

1. **No installation required**
  - Installation of the CWB-NC first requires installing SML version 110.?.?
2. **Minimal learning required**
3. **Available for free public use by anyone who simply wants to try it out**

NWCV-DAIICT

Home Page

Title Page



Page 12 of 100

Go Back

Full Screen

Close

Quit



## Why use the IITD-CWB 2?

1. **No installation required**
2. **Minimal learning required**
  - 1 web-page of instructions as opposed to a 100-page manual
  - The GUI of the CWB-NC is somewhat unreliable and does not easily customize. The IITD-CWB simply uses the well-known features of the browser.
  - Allows occasional and professional user to by-pass the crummy command line interface of the CWB-NC
  - Easy to do cut-and-paste submission as well as uploading of large files.
3. **Available for free public use by anyone who simply wants to try it out**



NWCV-DAIICT

Home Page

Title Page



Page 13 of 100

Go Back

Full Screen

Close

Quit



## Why use the IITD-CWB 3?

1. No installation required
2. Minimal learning required
3. Available for free public use by anyone who simply wants to try it out
  - once,
  - twice or
  - ... any number of times if you begin to like it!

NWCV-DAIICT

Home Page

Title Page



Page 14 of 100

Go Back

Full Screen

Close

Quit



## Design Languages

- Most model-checkers have a native language the user must use to write system specification.
- Design languages and the user interface form the core learning process for a lay user of the system
- The currently supported design languages in the IITD-CWB
  - CCS, CSP, Basic LOTOS, SCCS, PCCS, TCCS and **ACSR** (not in CWB-NC)
- The currently supported logics for model-checking (also in CWB-NC)
  - HML,  $\mu$ -calculus, CTL, GCTL\*

NWCV-DAIICT

Home Page

Title Page

◀ ▶

◀ ▶

Page 15 of 100

Go Back

Full Screen

Close

Quit

# Capabilities of the CWB-NC

- **Model-checking:** Given a **design** **SYS** written in a supported design language and a **property** **Prop** written in a supported logic, answers the question

*Does **SYS** satisfy **Prop**?*

Also provides a counterexample if answer is “NO!”.

- **Verification:** Given a **specification** **SPEC** and an **implementation** **IMP** both written in the same design language, answers the question?

*Do **SPEC** and **IMP** have the same observable behaviour?*

Also provides counterexample, if the answer is “NO!”

- **Simulator:** Given a **design** **SYS** step through its execution interactively.



NWCV-DAIICT

Home Page

Title Page



Page 16 of 100

Go Back

Full Screen

Close

Quit





# Behavioural Verification: Equivalences

Given a SPEC and an IMP

- Is SPEC **strongly equivalent** to IMP?
- Is SPEC **observably equivalent** to IMP?
- Is SPEC **observably congruent** to IMP?
- Is SPEC **trace equivalent** to IMP?
- Is SPEC **testing equivalent** to IMP?

NWCV-DAIIC

Home Page

Title Page



Page 17 of 100

Go Back

Full Screen

Close

Quit



## Behavioural Verification: Preorders

Given a SPEC and an IMP

- Is IMP **MAY contained** in SPEC?
- Is IMP **MUST contained** in SPEC?
- Is SPEC **MAY contained** in IMP?
- Is SPEC **MUST contained** in IMP?

If the answers to all the above questions are “YES”, then they are both **testing equivalent**.

NWCV-DAIICT

Home Page

Title Page

◀ ▶

◀ ▶

Page 18 of 100

Go Back

Full Screen

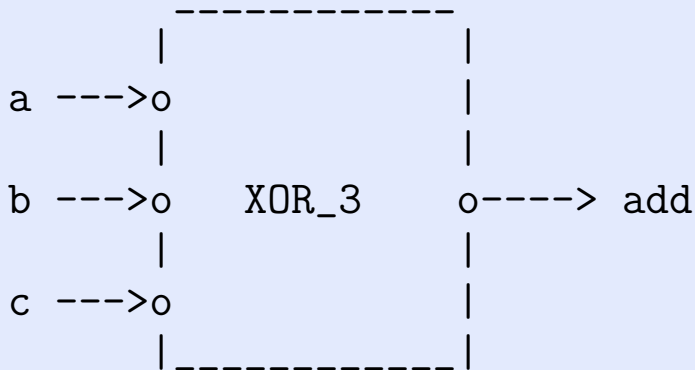
Close

Quit



## Equivalence checking: XOR3 Spec

Consider an XOR of 3 inputs. What should be the specification?



NWCV-DAI/CT

[Home Page](#)

[Title Page](#)



Page 19 of 100

[Go Back](#)

[Full Screen](#)

[Close](#)

[Quit](#)



# Equivalence checking: XOR3 Spec

Specification in CCS.

```
proc XOR_3      = a0.(b0.(c0.'add0.nil +
                    c1.'add1.nil
                ) +
                b1.(c0.'add1.nil +
                    c1.'add0.nil
                )
            ) +
            a1.(b0.(c0.'add1.nil +
                    c1.'add0.nil
                ) +
                b1.(c0.'add0.nil +
                    c1.'add1.nil
                )
            )
        )
```



NWCV-DAIICT

[Home Page](#)

[Title Page](#)



Page 20 of 100

[Go Back](#)

[Full Screen](#)

[Close](#)

[Quit](#)



# Equivalence checking: XOR3 Imp

Construct an XOR3 of 3 inputs with two XOR gates (of 2 inputs each).



NWCV-DAIICT

Home Page

Title Page



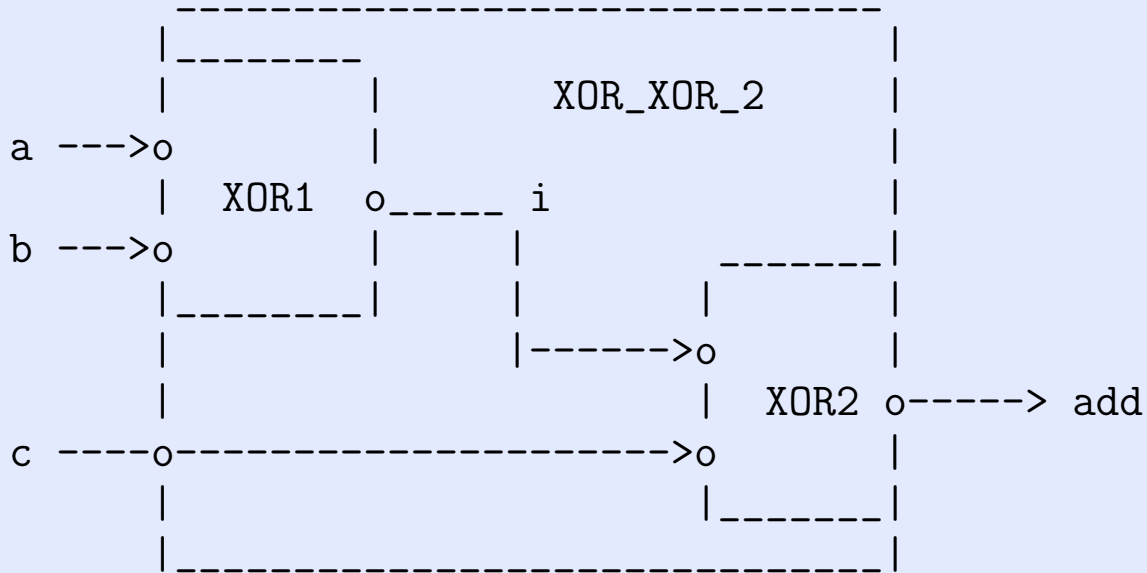
Page 21 of 100

Go Back

Full Screen

Close

Quit





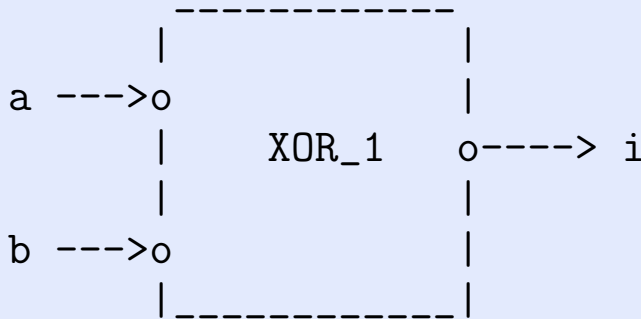
## Equivalence checking: XOR3 Imp

Begin with a specification of an XOR gate with 2 inputs.

```
proc XOR    = a0.(b0.'out0.nil + b1.'out1.nil) +  
             a1.(b0.'out1.nil + b1.'out0.nil)
```

Get 2 copies of this gate (appropriately renamed).

Here's the first one.



```
proc XOR_1 = XOR [i0/out0, i1/out1]
```

NWCV-DAIIC

Home Page

Title Page

◀ ▶

◀ ▶

Page 22 of 100

Go Back

Full Screen

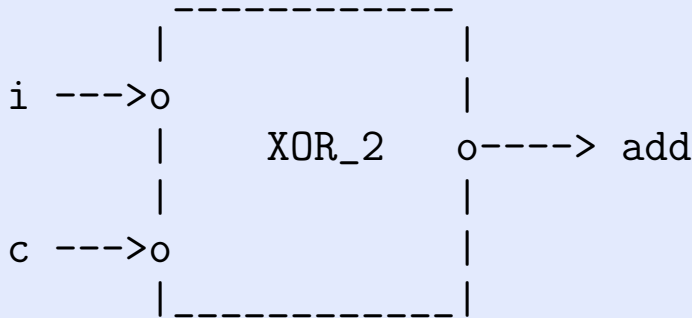
Close

Quit



# Equivalence checking: XOR3 Imp

And here's the second.



```
proc XOR_2 = XOR [i0/a0, i1/a1, c0/b0, c1/b1,
                  add0/out0, add1/out1]
```

NWCV-DAIICT

Home Page

Title Page

◀ ▶

◀ ▶

Page 23 of 100

Go Back

Full Screen

Close

Quit

# Equivalence checking: XOR3 Imp

Now connect them up by matching names



NWCV-DAIICT

[Home Page](#)

[Title Page](#)



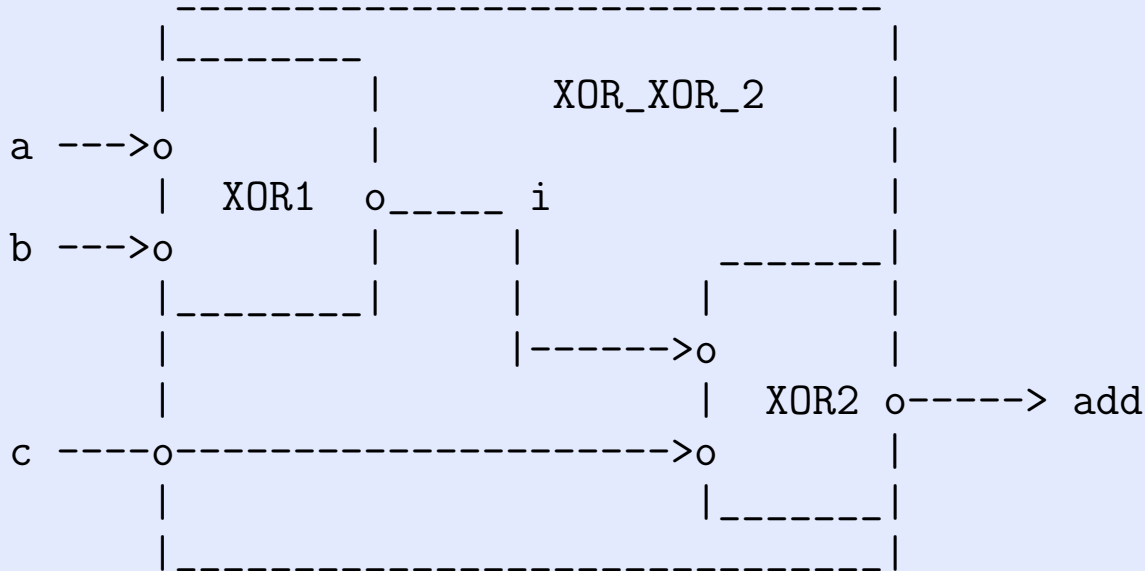
Page 24 of 100

[Go Back](#)

[Full Screen](#)

[Close](#)

[Quit](#)



```
proc XOR_XOR_2 = (XOR_1 | XOR_2) \ {i0, i1}
```

And package it in a box so nobody from outside can see what you have done.





## Equivalence checking: XOR3 Imp

- Are XOR\_3 and XOR\_XOR\_2 observably equivalent?
- Are XOR\_3 and XOR\_XOR\_2 observably congruent?

NWCV-DAICT

Home Page

Title Page



Page 25 of 100

Go Back

Full Screen

Close

Quit



## Equivalence checking: Other examples

- Systolic systems: Palindromes
- Protocols: Alternating Bit

NWCV-DAIICT

Home Page

Title Page



Page 26 of 100

Go Back

Full Screen

Close

Quit



## Logical Properties

- Modal  $\mu$ -calculus
- Computation tree logic
- Generalized Hennessy Milner Logic with recursion (GCTL\*)
  - CTL\* enhanced with atomic propositions for LTSs
  - Uses **R**elease as a dual for **U**ntil
  - Works on LTSs rather than Kripke systems

NWCV-DAIICT

Home Page

Title Page



Page 27 of 100

Go Back

Full Screen

Close

Quit



## Logical Properties: Examples

$$\langle \text{act\_set} \rangle \psi = E (\{ \text{act\_set} \} / \setminus X \psi)$$
$$[\text{act\_set}] \psi = A (\{ \text{act\_set} \} \rightarrow X \psi)$$

prop can\_deadlock = E F ~{- }

prop recv\_guarantee = A G ({send} -> F {'receive'})

prop fair\_recv\_guarantee =  
A ((G F {-t}) -> (G {send} -> F {'receive'}))

NWCV-DAIICT

Home Page

Title Page



Page 28 of 100

Go Back

Full Screen

Close

Quit



## Conclusions

- Can we combine **model-checking** with an **inductive theorem-proving mechanism**? Then proof of hardware designs and their extensions, e.g. 32 bit to 64 bit or bit-sliced designs could be proven more easily by a theorem-prover which which may work on a certified model-check for the basis of the induction?
- The use of **behavioural relations** can reduce the burden on proofs by using **(pre)congruences** to justify and validate designs to ameliorate the state explosion problem.
- The main problem with **logical properties** is that for real life designs, often the number of properties which constitute the specification can be so large that even after you have verified whatever properties you specify, you may wonder whether your design is complete.

NVCV-DAIIC

Home Page

Title Page



Page 29 of 100

Go Back

Full Screen

Close

Quit



## Conclusions

- This is because **modularity** is not built into the logics, whereas it is built into algebraic specifications.
- This state explosion problem reduces when both specification and implementation are in the same language and one can use behavioural notions, such as equivalences and preorders (and one can take advantage of congruences and precongruences).
- Most model-checking works only on finite-state systems. But for infinite-state systems static analysis and abstraction may be required.
- But under abstraction the **full abstraction** property is lost.
- So a verification of all the specified properties does not guarantee that your system is correct. But any incorrectness in your abstraction also implies that your concrete system is at least equally wrong.



NWCV-DAIICT

[Home Page](#)

[Title Page](#)



Page 30 of 100

[Go Back](#)

[Full Screen](#)

[Close](#)

[Quit](#)